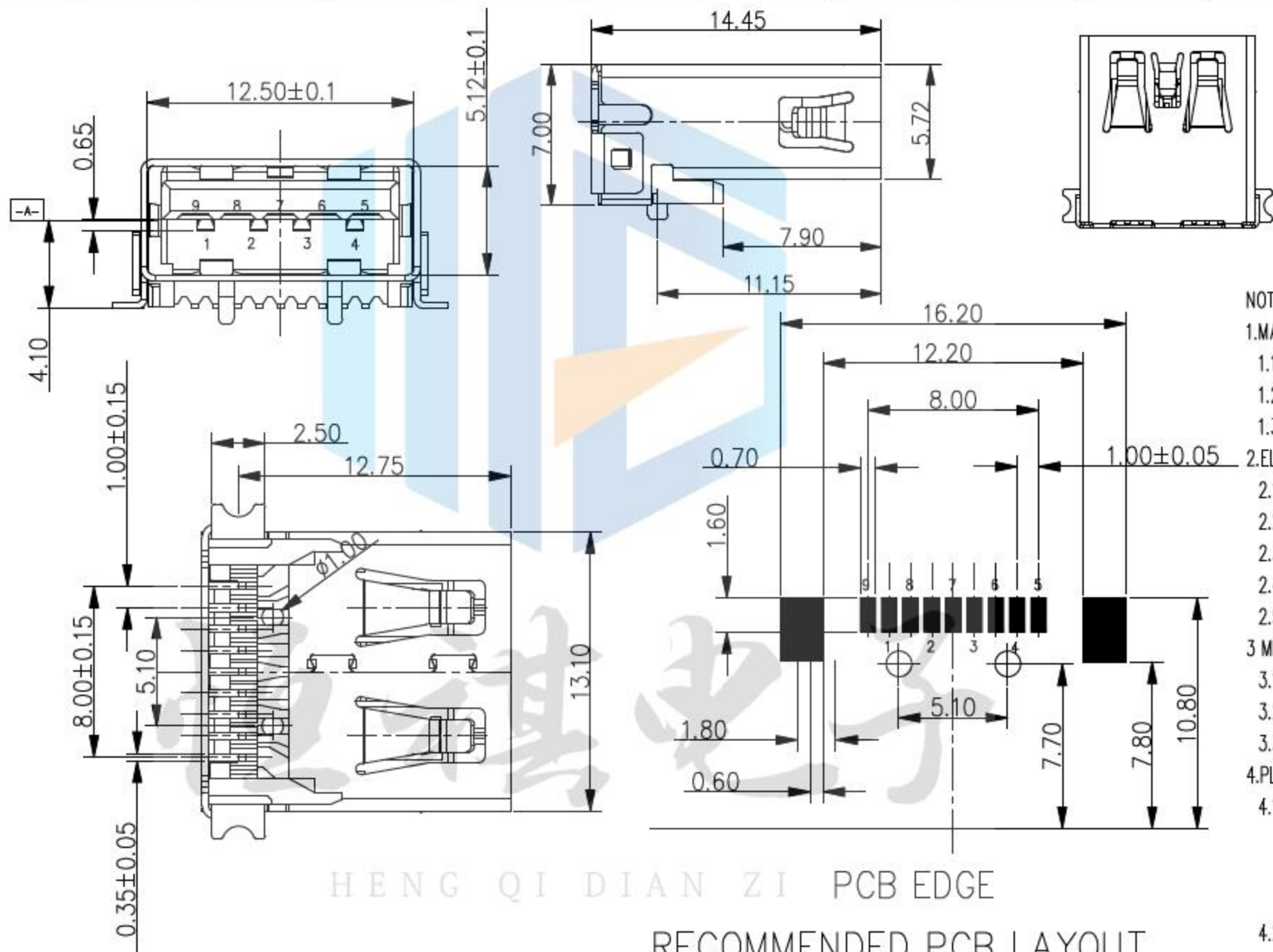


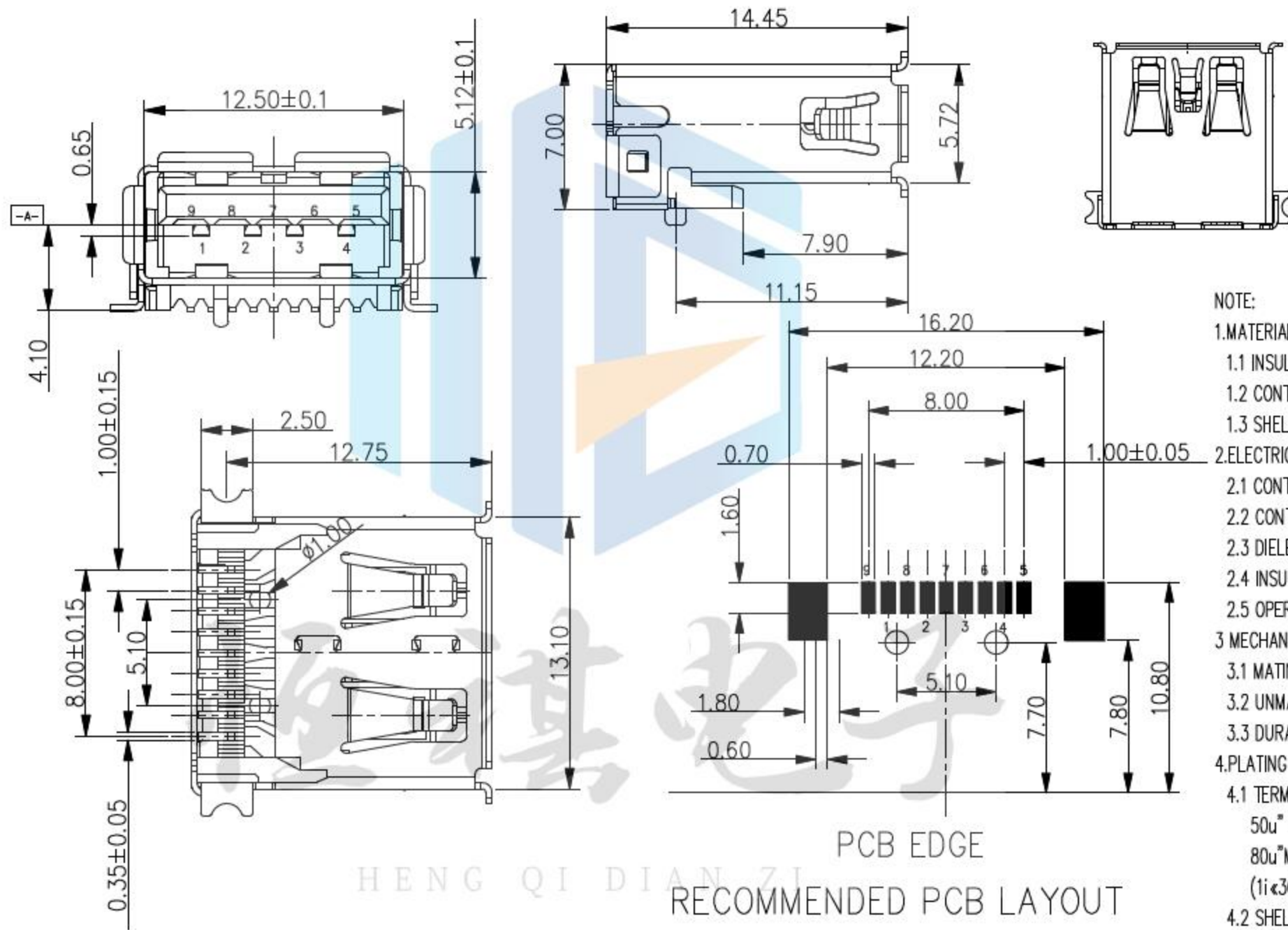
RoHS  
COMPLIANT



- NOTE:
- MATERIAL:
    - INSULATOR: LCP UL 94V-0
    - CONTACT: BRONZE
    - SHELL: BRASS
  - ELECTRICAL CHARACTERISTICS:
    - CONTACT RESISTANCE: 30mΩ MAXIMUM
    - CONTACT CURRENT RATING: 1.5A
    - DIELECTRIC WITHSTANDING VOLTAGE: 100 V AC R.M.S.
    - INSULATION RESISTANCE 100 MEGOHMS MIN
    - OPERATING TEMPERATURE: -40i WC i ≤ 85i WC
  - MECHANICAL CHARACTERISTICS:
    - MATING FORCE: 3.57kgf MAX
    - UNMATED FORCE: 0.82kgf MIN AFTER TEST
    - DURABILITY MANDATORY: 1200 CYCLES
  - PLATING
    - TERMINAL:
      - 50u" MIN NICKEL ALL OVER
      - 80u" MIN Tin ON SOLDER AREA
      - (1i ≤ 30)u" Au ON CONTACT AREA
    - SHELL: 100u" MIN. NICEL ALL OVER

HENG QI DIAN ZI PCB EDGE  
RECOMMENDED PCB LAYOUT

设计:	Arvin: 2016.03.08	范围 Range	公差 Tolerance	东莞市恒祺电子科技有限公司	
审核:	Arvin:	X.X ±	X.X ±0.30		
校对:	Ru yi:	X.XX ±	X.XX ±0.20	名称: USB插座	料号:
比例:	视角关系:	X.XXX ±	X.XXX ±0.10	型号: USB3.0 A/F短体全贴14.45直边	
版次:	图框大小: A4	Angle ±	Angle ±5°	共 张 , 第 张	备注:



- NOTE:
- MATERIAL:
    - INSULATOR: LCP UL 94V-0
    - CONTACT: BRONZE
    - SHELL: BRASS
  - ELECTRICAL CHARACTERISTICS:
    - CONTACT RESISTANCE: 30mΩ MAXIMUM
    - CONTACT CURRENT RATING: 1.5A
    - DIELECTRIC WITHSTANDING VOLTAGE: 100 V AC R.M.S.
    - INSULATION RESISTANCE 100 MEGOHMS MIN
    - OPERATING TEMPERATURE:  $-40^{\circ}\text{C}$  to  $85^{\circ}\text{C}$
  - MECHANICAL CHARACTERISTICS:
    - MATING FORCE: 3.57kgf MAX
    - UNMATED FORCE: 0.82kgf MIN AFTER TEST
    - DURABILITY MANDATORY: 1200 CYCLES
  - PLATING
    - TERMINAL:
      - 50μ" MIN NICKEL ALL OVER
      - 80μ" MIN Tin ON SOLDER AREA
      - (1±30)μ" Au ON CONTACT AREA
    - SHELL: 100μ" MIN. NICKEL ALL OVER

PCB EDGE  
RECOMMENDED PCB LAYOUT

HENG QI DIAN ZI

设计:	Arvin: 2016.03.08	范围 Range	公差 Tolerance	东莞市恒祺电子科技有限公司	
审核:	Arvin:	X.X ±	X.X ±0.30		
校对:	Ru yi:	X.XX ±	X.XX ±0.20	名称: USB插座	料号:
比例:	视角关系:	X.XXX ±	X.XXX ±0.10	型号: USB3.0 A/F短体全贴14.45卷边	
版次:	图框大小: A4	Angle ±	Angle ±5°	共张, 第张	备注: