

NOTE:

1.MATERIAL:

- 1.1 INSULATOR: HIGH TEMPERATURE PLASTIC UL 94 V-0; BLUE
- 1.2 CONTACT: COPPER ALLOY(T=0.20mm)
- 1.3 SHELL: BRASS(T=0.30mm)

2.ELECTRICAL CHARACTERISTICS:

- 2.1 CONTACT RESISTANCE: 30mΩ Max
- 2.2 CONTACT CURRENT RATING: 1.5A
- 2.3 DIELECTRIC WITHSTANDING VOLTAGE: 500 V R.M.S.
- 2.4 INSULATION RESISTANCE 100 MEGOHMS Min
- 2.5 OPERATING TEMPERATURE: -40°C ~ 85°C

3 MECHANICAL CHARACTERISTICS:

- 3.1 MATING FORCE: 35 N Max
- 3.2 UNMATED FORCE: 10 N Min INITIAL; 8 N Min AFTER TEST
- 3.3 DURABILITY: 5,000 CYCLES

4.PLATING

- 4.1 TERMINAL CONTACT: (SEE TAB) GOLD PLATING ALL OVER 50μ" MIN NICKEL AND 80μ" MIN Tin ALL OVER 50μ" MIN NICKEL ON SOLDER AREA
- 4.2 SHELL: 80μ" MIN. NICKEL ALL OVER

TOLERANCE: ±0.05, THICKNESS: 1.2mm

RECOMMENDED PCB LAYOUT

(TOP VIEW)

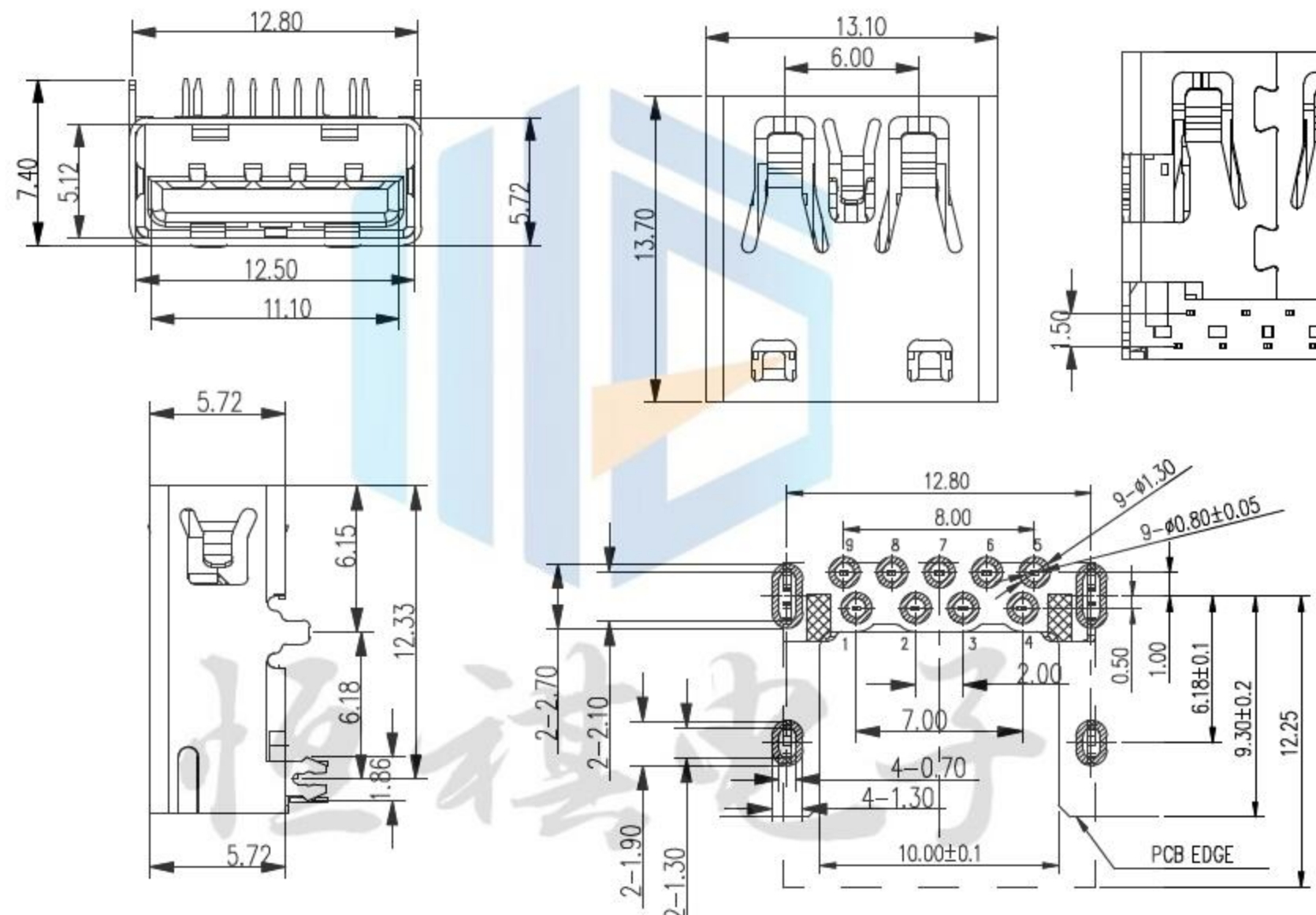
KEEP OUT AREA

设计:	Arvin: 2016.03.08	范围 Range	公差 Tolerance
审核:	Arvin:	X.X ±	X.X ±0.30
校对:	Ru yi:	X.XX ±	X.XX ±0.20
比例:	视角关系:	X.XXX ±	X.XXX ±0.10
版次:	图框大小: A4	Angle ±	Angle ±5°

东莞市恒祺电子科技有限公司

名称: USB插座 料号:
 型号: USB3.0 A/F板上插脚6.26长度13.7mm
 共 张 , 第 张 备注:

RoHS
COMPLIANT



NOTE:

- 1.MATERIAL:
 - 1.1 INSULATOR: HIGH TEMPERATURE PLASTIC UL 94 V-0; BLUE
 - 1.2 CONTACT: COPPER ALLOY(T=0.20mm)
 - 1.3 SHELL: BRASS(T=0.30mm)
- 2.ELECTRICAL CHARACTERISTICS:
 - 2.1 CONTACT RESISTANCE: 30mΩ Max
 - 2.2 CONTACT CURRENT RATING: 1.5A
 - 2.3 DIELECTRIC WITHSTANDING VOLTAGE: 500 V R.M.S.
 - 2.4 INSULATION RESISTANCE 100 MEGOHMS Min
 - 2.5 OPERATING TEMPERATURE: -40°C ~ 85°C
- 3 MECHANICAL CHARACTERISTICS:
 - 3.1 MATING FORCE: 35 N Max
 - 3.2 UNMATED FORCE: 10 N Min INITIAL; 8 N Min AFTER TEST
 - 3.3 DURABILITY: 5,000 CYCLES
- 4.PLATING
 - 4.1 TERMINAL CONTACT: (SEE TAB) GOLD PLATING ALL OVER 50u" MIN NICKEL AND 80u" MIN Tin ALL OVER 50u" MIN NICKEL ON SOLDER AREA
 - 4.2 SHELL: 80u" MIN. NICEL ALL OVER

TOLERANCE: ±0.05, THICKNESS: 1.0mm
 RECOMMENDED PCB LAYOUT
 (TOP VIEW)
 KEEP OUT AREA

设计:	Arvin: 2016.03.08	范围 Range	公差 Tolerance
审核:	Arvin:	X.X ±	X.X ±0.30
校对:	Ru yi:	X.XX ±	X.XX ±0.20
比例:	视角关系:	X.XXX ±	X.XXX ±0.10
版次:	图框大小: A4	Angle ±	Angle ±5°

东莞市恒祺电子科技有限公司

名称: USB插座 料号:
 型号: USB3.0 A/F板上插脚5.72长度13.7mm
 共 张 , 第 张 备注: