

- NOTE:
- P.C.B LAYOUT  
TOL:±0.05
- 1.MATERIAL:
    - 1.1 INSULATOR: PBT & PA9T & LCP
    - 1.2 CONTACT: COPPER ALLOY
    - 1.3 SHELL: BRASS
  - 2.ELECTRICAL CHARACTERISTICS;
    - 2.1 CONTACT RESISTANCE: 30mΩ MAXIMUM
    - 2.2 CONTACT CURRENT RATING: 1.5A
    - 2.3 DIELECTRIC WITHSTANDING VOLTAGE: 100 V R.M.S.
    - 2.4 INSULATION RESISTANCE 100 MEGOHMS MIN
    - 2.5 OPERATING TEMPERATURE: -20°C ~ 60°C
  - 3.PLATING
    - 3.1 TERMINAL:
      - 50u" MIN NICKEL ALL OVER
      - 100u" MIN Tin ON SOLDER AREA
      - (1~30)u" Au ON CONTACT AREA
    - 3.2 SHELL: 80u" MIN. NICKEL ALL OVER
  - 4.PART NO.:

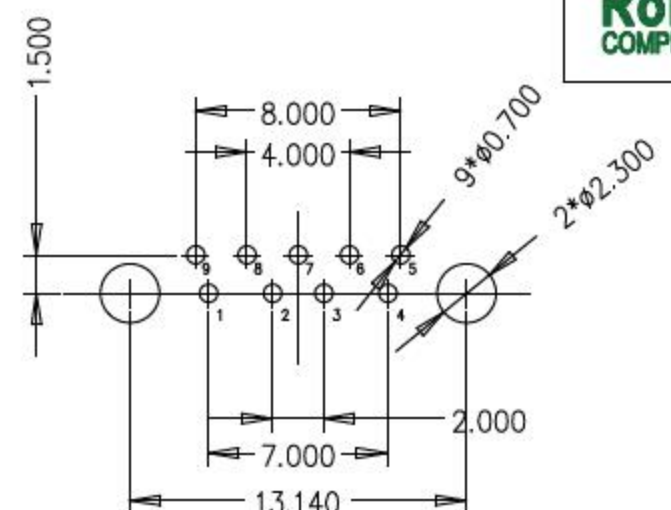
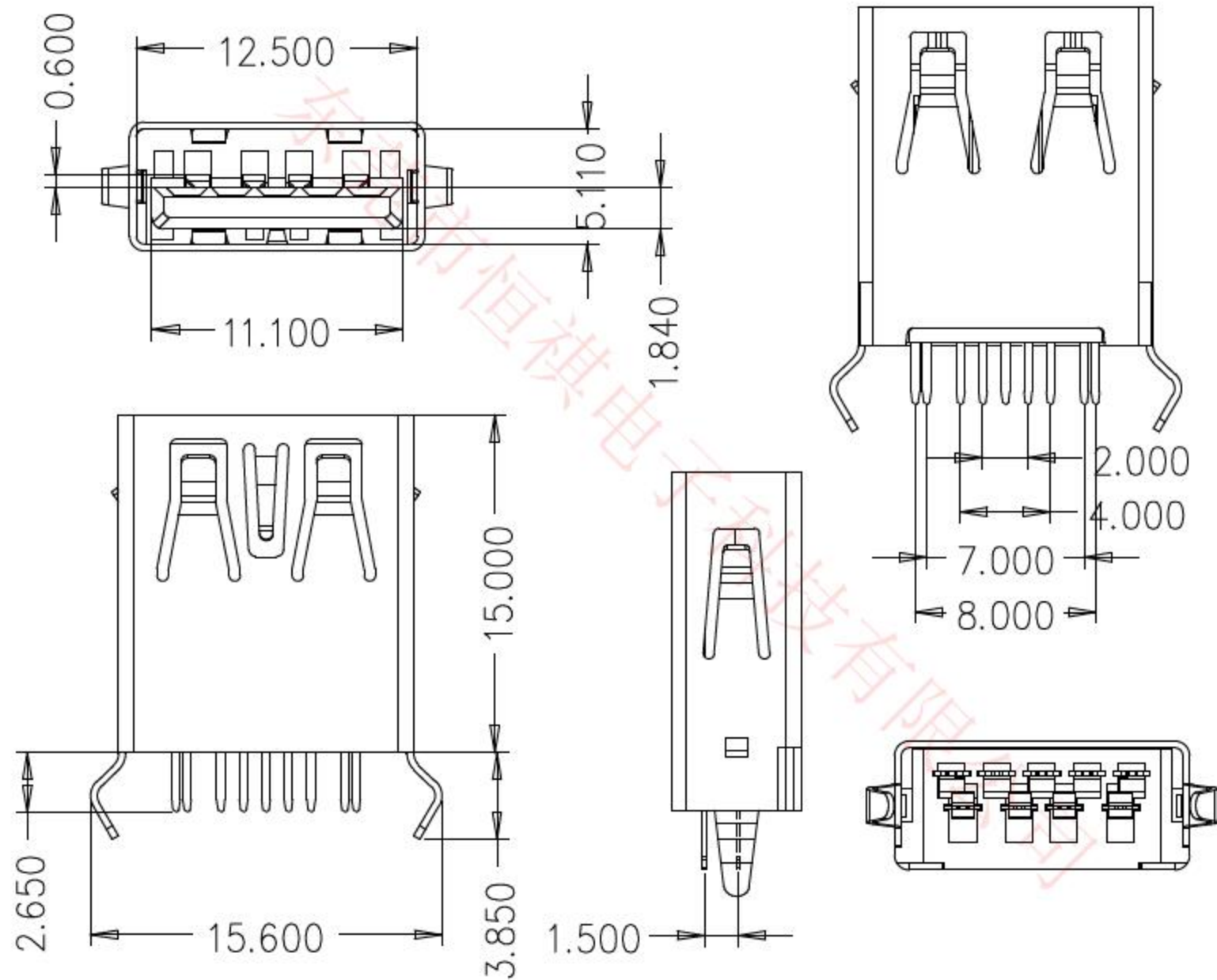
设计:	Arvin: 2016.03.08	范围 Range	公差 Tolerance
审核:	Arvin:	X.X ±	X.X ±0.30
校对:	Ru yi:	X.XX ±	X.XX ±0.20
比例:	视角关系:	X.XXX ±	X.XXX ±0.10
版次:	图框大小: A4	Angle ±	Angle ±5°

东莞市恒祺电子科技有限公司

名称: USB插座      料号:

型号: USB3.0 A/F180度立插14.9MM有卷边

共 张 , 第 张      备注:



NOTE: P.C.B LAYOUT  
 1.MATERIAL: TOL:±0.05  
 1.1 INSULATOR: PBT & PA9T & LCP  
 1.2 CONTACT: COPPER ALLOY  
 1.3 SHELL: BRASS  
 2.ELECTRICAL CHARACTERISTICS;  
 2.1 CONTACT RESISTANCE: 30mΩ MAXIMUM  
 2.2 CONTACT CURRENT RATING: 1.5A  
 2.3 DIELECTRIC WITHSTANDING VOLTAGE: 100 V R.M.S.  
 2.4 INSULATION RESISTANCE 100 MEGOHMS MIN  
 2.5 OPERATING TEMPERATURE: -20°C ~ 60°C  
 3.PLATING  
 3.1 TERMINAL:  
 50u" MIN NICKEL ALL OVER  
 100u" MIN Tin ON SOLDER AREA  
 (1~30)u" Au ON CONTACT AREA  
 3.2 SHELL: 80u" MIN. NICKEL ALL OVER  
 4.PART NO.:

设计:	Arvin: 2016.03.08	范围 Range	公差 Tolerance	东莞市恒祺电子科技有限公司	
审核:	Arvin:	X.X ±	X.X ±0.30		
校对:	Ru yi:	X.XX ±	X.XX ±0.20	名称: USB插座	料号:
比例:	视角关系:	X.XXX ±	X.XXX ±0.10	型号: USB3.0 A/F180度立插14.9MM无卷边	
版次:	图框大小: A4	Angle ±	Angle ±5°	共张, 第张	备注: