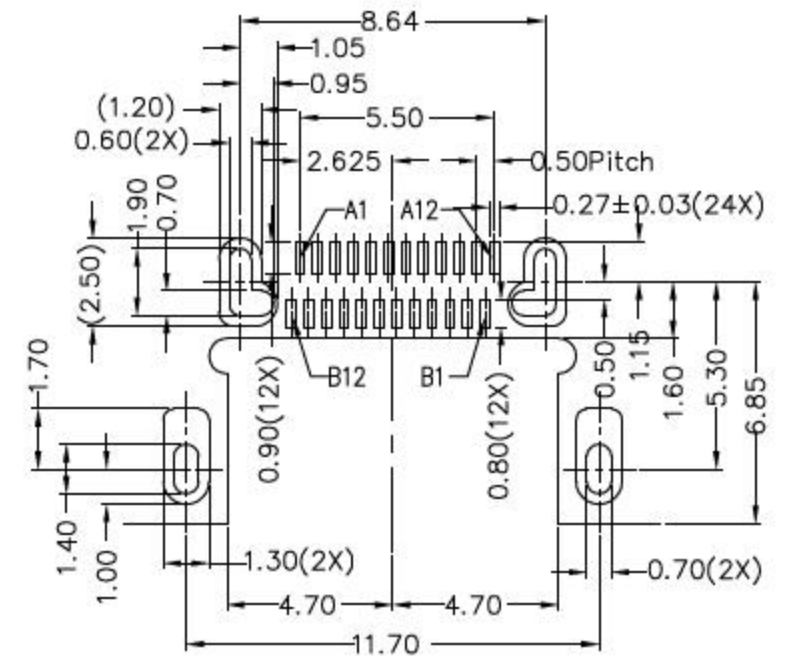
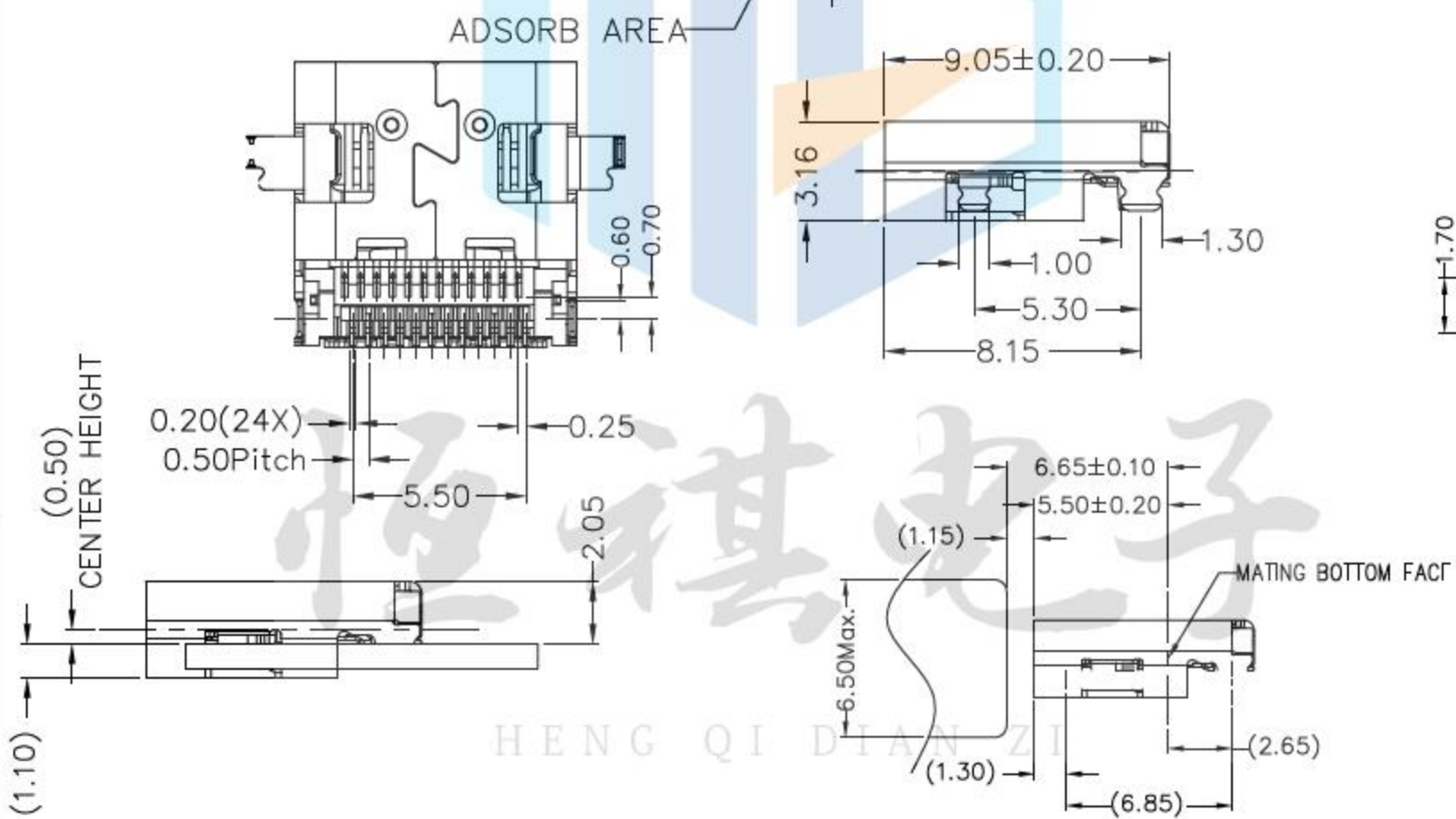
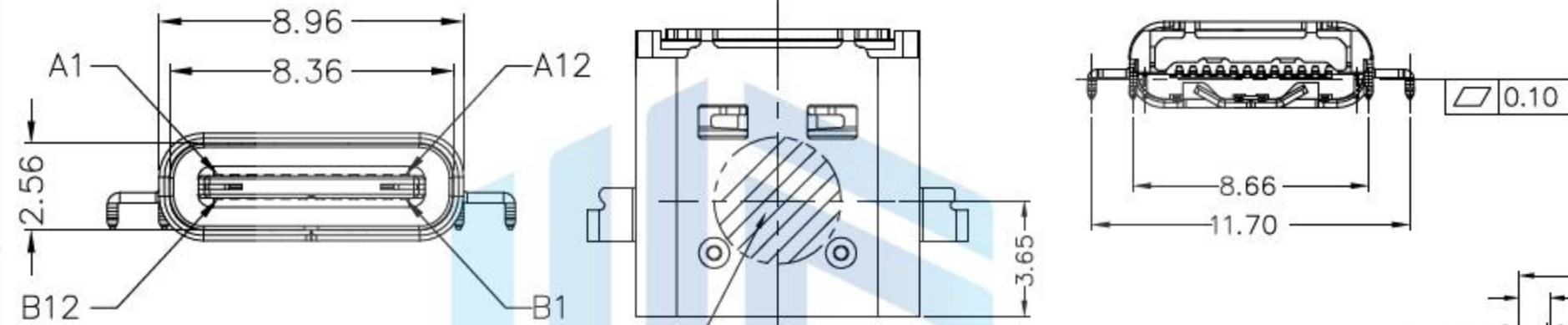


RoHS
COMPLIANT



Applicable P.C.B Dimension
Tolerances: ±0.05mm

- 1.Contact Resistance: 40mOHM Max.;
- 2.Dielectric Withstanding Voltage:100V AC For 1 Minute;
- 3.Insulation Resistance:100M OHM Min.;
- 4.Mating And Unmating Force:
Mating Force: 5~20N
Unmating Force: 8~20N(0~1000cycle);
6~20N(1001~10000cycle);
- 5.Durability:10000 Cycles;

恒祺电子
HENG QI DIAN ZI

设计:	Arvin: 2016.03.08	范围 Range	公差 Tolerance	东莞市恒祺电子科技有限公司	
审核:	Arvin:	X.X ±	X.X ±0.30		
校对:	Ru yi:	X.XX ±	X.XX ±0.20	名称:TYPE-C	料号:
比例:	视角关系:	X.XXX ±	X.XXX ±0.10	形号: 24PIN沉板1.1	
版次:	图框大小: A4	Angle ±	Angle ±5°	共 张 , 第 张	备注: