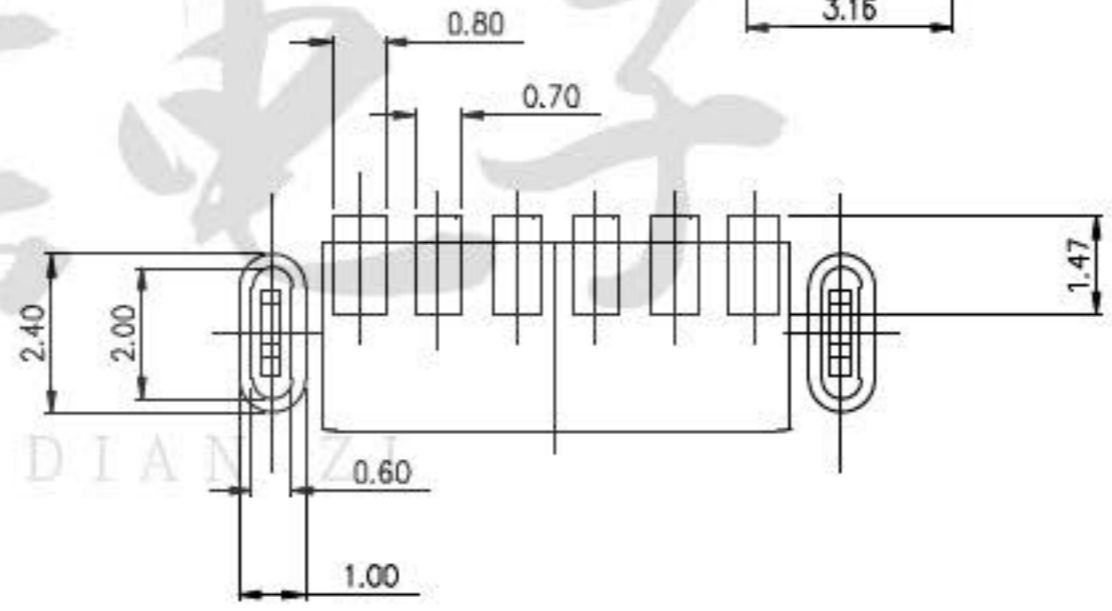
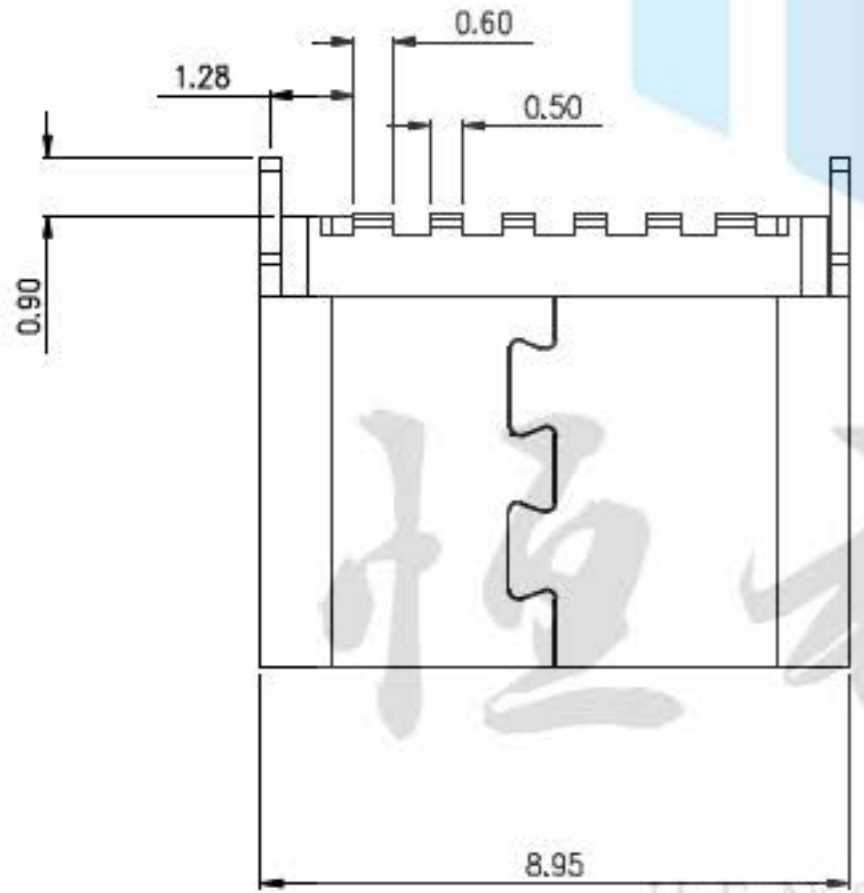
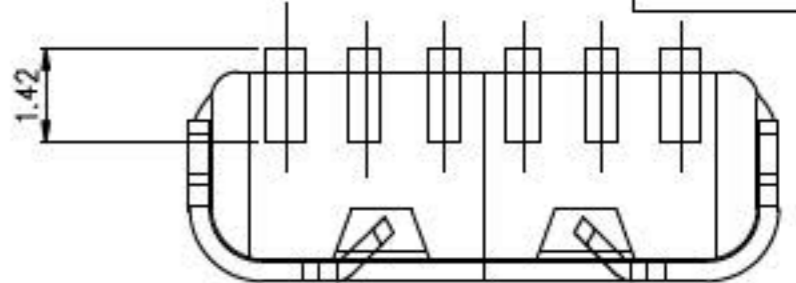
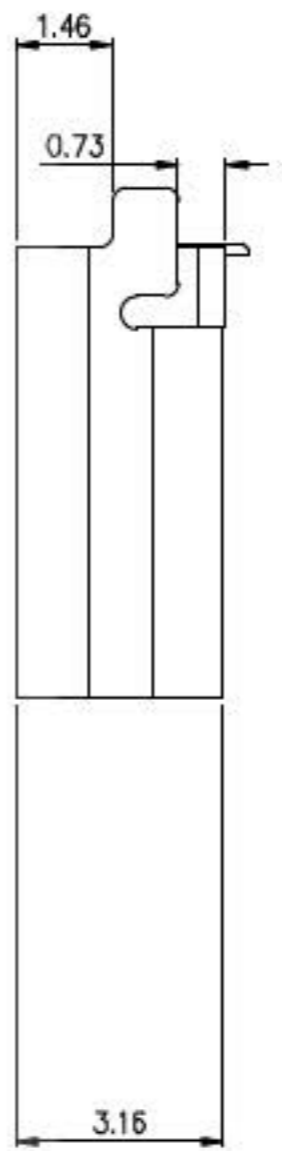
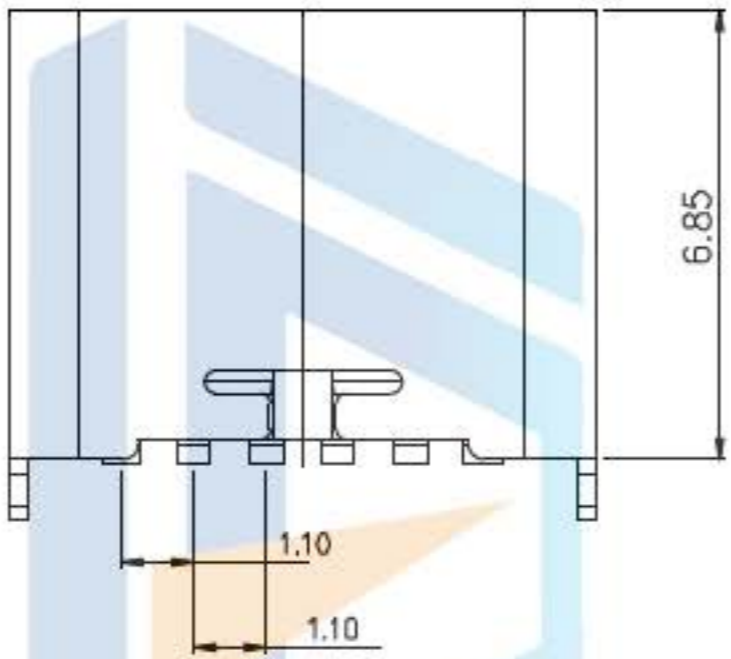
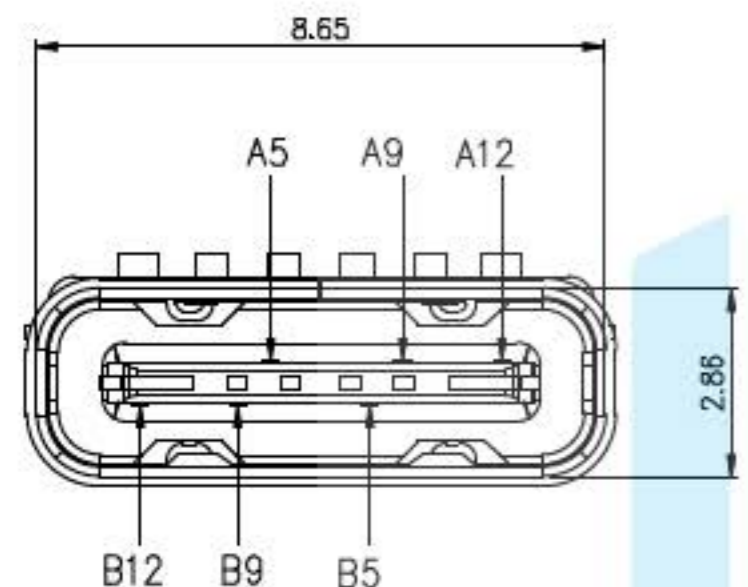


RoHS
COMPLIANT



NOTES:

- 1.MATERIAL:
 - MOLDING: LCP UL94 V-0
 - CONTACT: COPPER ALLOY.
 - GOLD PLATED Min ON CONTACT AREA, 100u"
 - Min TIN (LEAD FREE) ON SOLDER AREA,
 - SHELL: SUS201-H, T=0.30±0.03mm
 - 50u" NICKEL PLATING OVER ALL.
- 2.MECHANICAL:
 - INSERTION: 5~20N.
 - EXTRACTION: 8~20N AFTER TEST.
 - DURABILITY: 5000 CYCLES
- 3.ELECTRICAL:
 - CURRENT: 3A FOR VBUS;
 - 1.25A FOR GND PIN.
 - 0.25A FOR OTHER.
 - VOLTAGE: 20 V MAX
 - WITHSTANDING VOLTAGE: 100V AC R.M.S.
 - CONTACT RESISTANCE: 40mΩ MAX.
 - INSULATION RESISTANCE: 100MΩ MIN.
- 4.ENVIRONMENTAL
 - TEMPERATURE RANGE -25°C ~ +85°C

恒祺电子

HENG QI DIAN ZI

设计:	Arvin: 2016.03.08	范围 Range	公差 Tolerance	东莞市恒祺电子科技有限公司	
审核:	Arvin:	X.X ±	X.X ±0.30		
校对:	Ru yi:	X.XX ±	X.XX ±0.20	名称: TYPE-C	料号:
比例:	视角关系:	X.XXX ±	X.XXX ±0.10	形号: 6PIN立贴6.8	
版次:	图框大小: A4	Angle ±	Angle ±5°	共 张 , 第 张	备注: