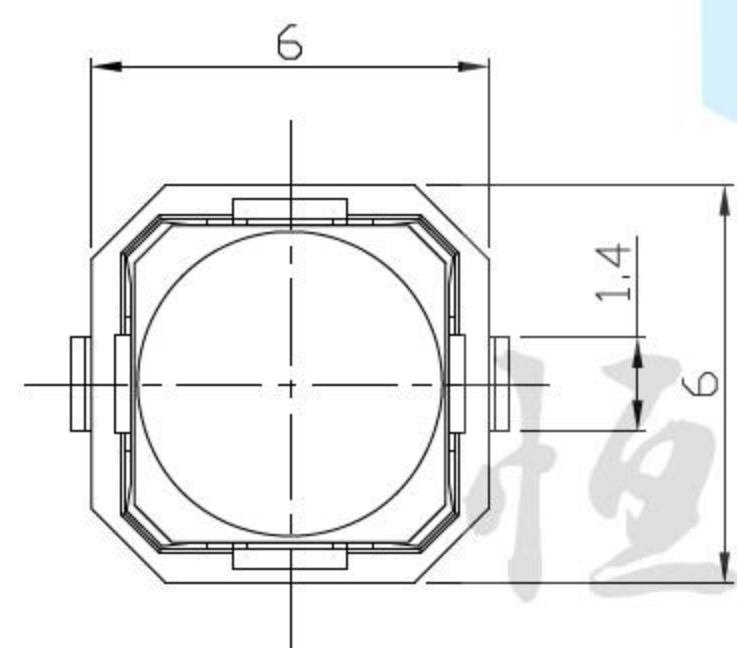


P.C.B MOUNTING PATTERN DIMENSION

CIRCUIT DIAGRAM



1. Operating temperature range:  $-30^{\circ}$  c to  $85^{\circ}$  c
2. Rating: DC12V 50mA
3. Insulation resistance:  $100M\Omega$  min 100V DC
4. Dielectric strength: 250V AC for 1min
5. Contact resistance:  $100m\Omega$  Max
6. Operating force:  $160\pm 50gf$  -  $260\pm 50gf$
7. Travel:  $0.25\pm 0.10mm$
8. Operating life: 260gf 100,000 Cycle



设计:	Arvin: 2016.03.08	范围 Range	公差 Tolerance	东莞市恒祺电子科技有限公司	
审核:	Arvin:	X.X ±	X.X ±0.30		
校对:	Ru yi:	X.XX ±	X.XX ±0.20	名称: 轻触开关	料号:
比例:	视角关系:	X.XXX ±	X.XXX ±0.10	型号: TS-E013	
版次:	图框大小: A4	Angle ±	Angle ±5°	共 张 , 第 张	备注: