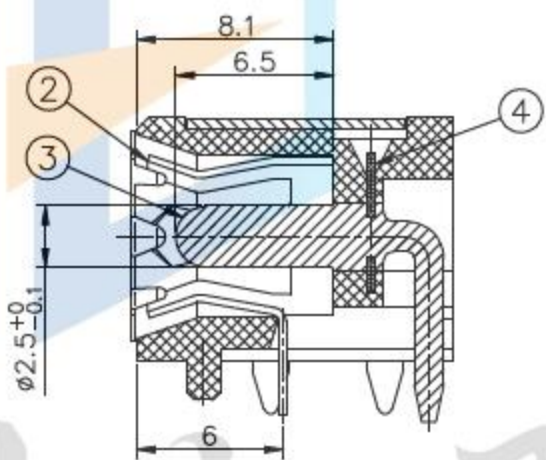
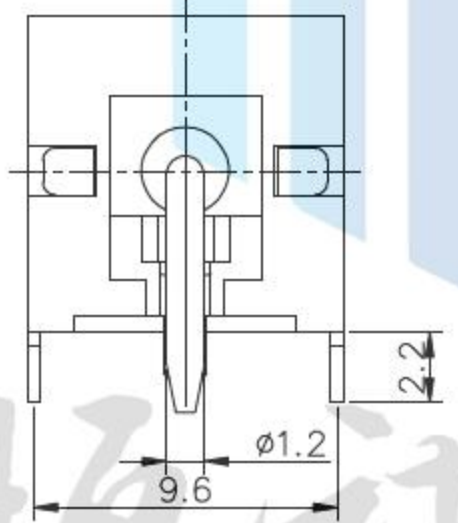
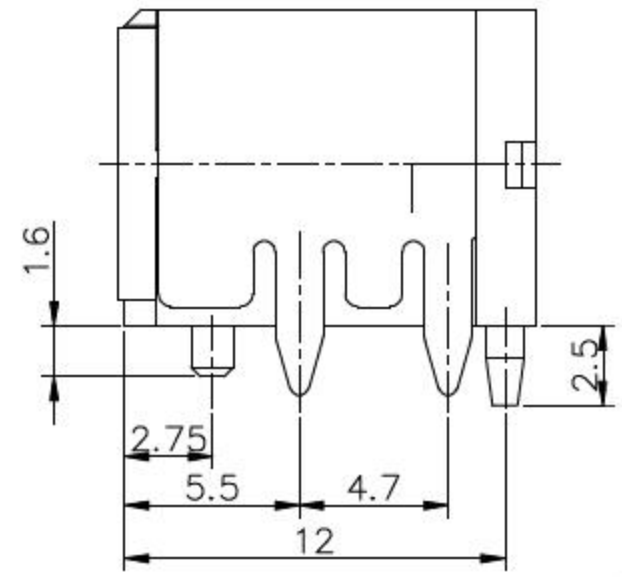
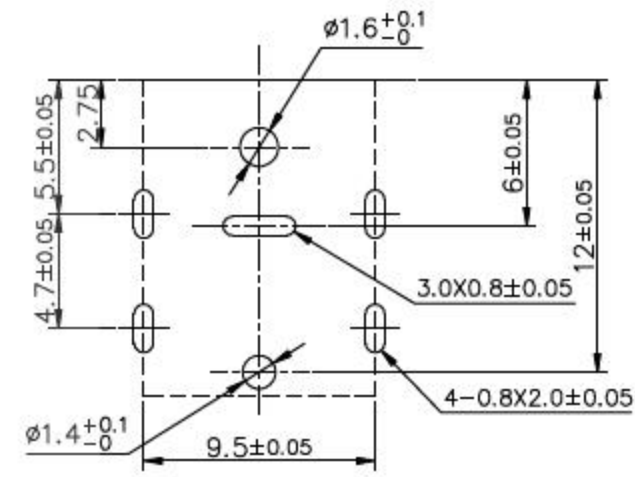
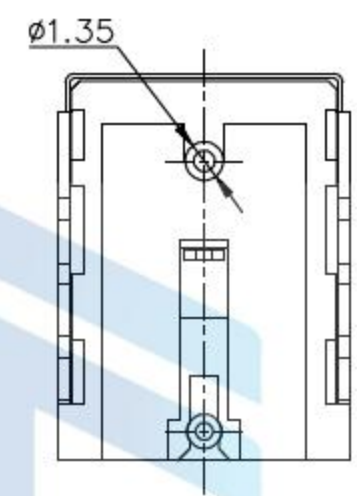
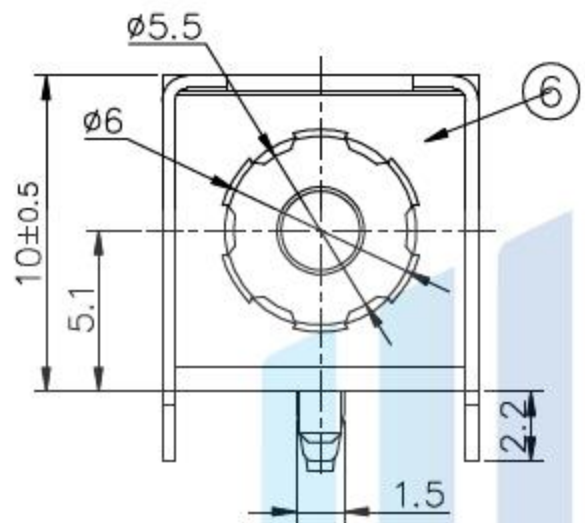
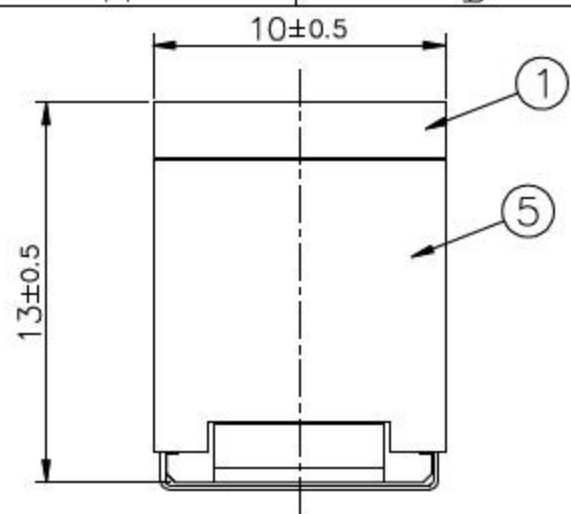
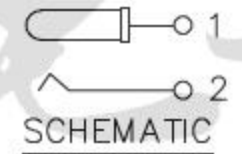


RoHS
COMPLIANT



PCB MOUNTING HOLES
BOTTOM VIEW
(TOLERANCE: ±0.05)

ELECTRICAL
VOLTAGE RATING: 20V DC (R.M.S)
CURRENT RATING: 10A
CONTACT RESISTANCE: 30mΩ MAX.
INSULATION RESISTANCE: 100 MΩ MIN.
DIELECTRIC WITHSTAND VOLTAGE: 500V AC (R.A.M)
TEMPERATURE RANGE: -25°C TO +85°C
MATERIALS & PLATING: SEE THE TABLE BELOW.



ORDERING INFORMATION:

设计:	Arvin: 2016.03.08	范围 Range	公差 Tolerance
审核:	Arvin:	X.X ±	X.X ±0.30
校对:	Ru yi:	X.XX ±	X.XX ±0.20
比例:	视角关系:	X.XXX ±	X.XXX ±0.10
版次:	图框大小: A4	Angle ±	Angle ±5°

东莞市恒祺电子科技有限公司

名称: DC插座 型号: DC-007B

料号:
共 张 , 第 张 备注: