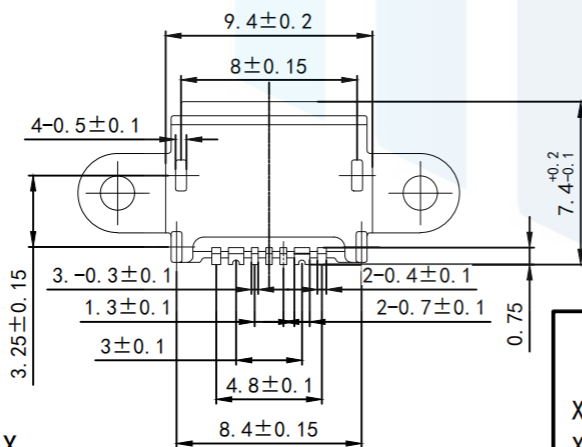
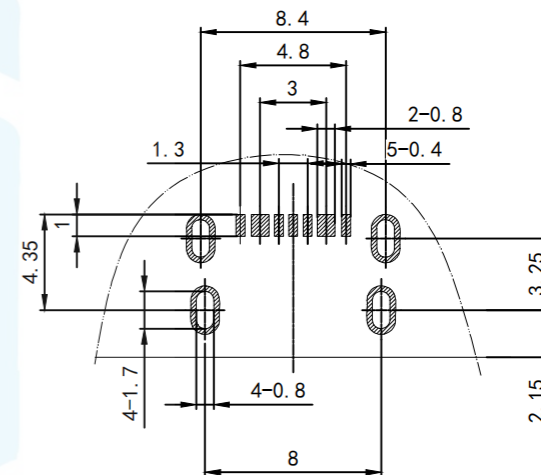
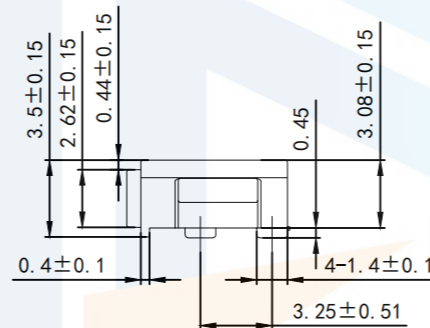
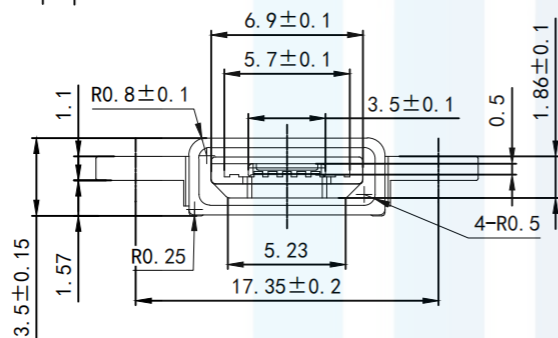
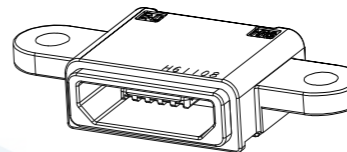
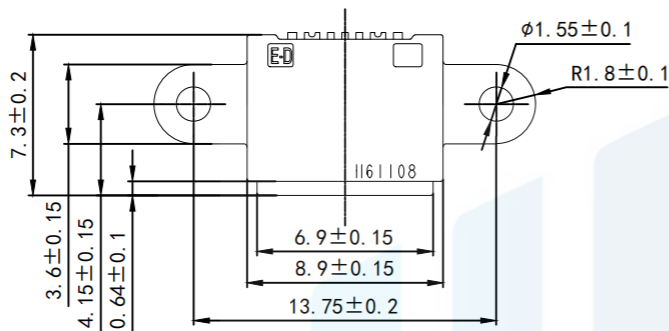
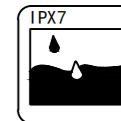


RoHS2.0  
Compliant

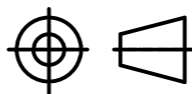


- NOTES:
- CURRENT RATING: 2.0A MAX
  - VOLTAGE: 100V AC
  - TEMPERATURE RANGE: -30°C~85°C:
  - CONTACT RESISTANCE: 40 MILLIONHM MAX.
  - INSULATION RESISTANCE: 100M MEFOHMS MIN.
  - INSERTION FORCE: 5N~20N
  - MATING FORCE: 8N~20N
  - DURABILITY: 10,000 CYCLES.

TOLERANCE

X. XXX	±0.05
X. XX	±0.15
X. X	±0.20
X.	±0.30
ANGLE	±5.0°

PROTECTON



东莞市恒祺电子科技有限公司  
Dongguan Hengqi Electronic Technology Co., Ltd

<https://www.hq-dz.com>

phone: 15812872448

TITLE:

Micro USB 7Pin板上型 防水款带锁孔

PART NO: MICR05P-PS07FS

DRAWING NO: 17.35\*7.3\*3.08

DRAWN:

CHECKED:

APPROVED:

DATE:

DATE:

DATE:

18-10-08

18-10-08

18-10-08

UNIT:  
mm

SCALE:  
FULL

SIZE:  
A4